



Port & Company® Budget Tote B150



Your basic carryall tote at a great value.

- 100% cotton
- Reinforced stitching on handles
- Dimensions: 15.75" h x 15.25" w
- Handle Length: 21.5"

Note: Bags not intended for use by children 12 and under. Includes a California Prop 65 and social responsibility [hangtag](#).

COLOR



Natural
PMS 7506 C



Natural/ Black
PMS 7506 C



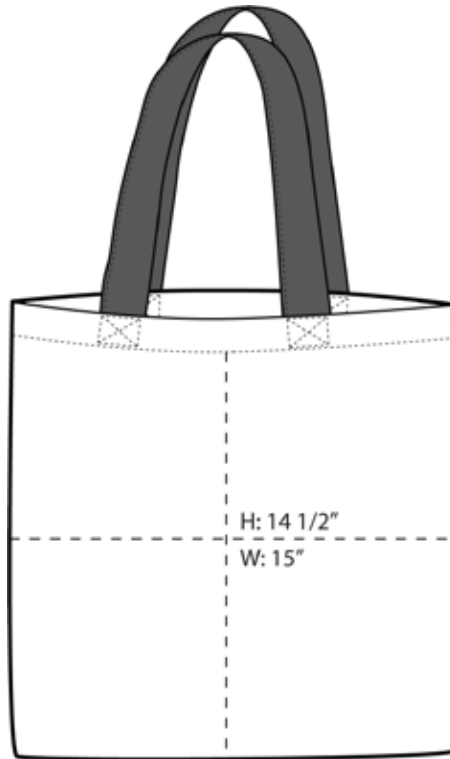
Natural/ Hunter
PMS 7506 C



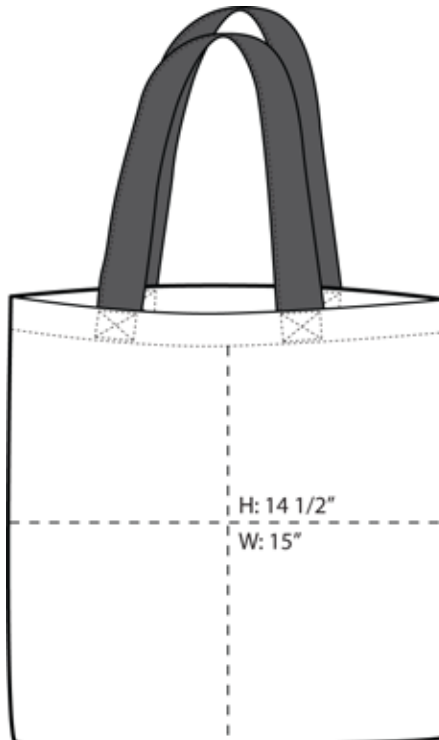
Natural/ Navy
PMS 7506 C



Natural/ Red
PMS 7506 C



Front View



Back View

Note: Best graphic placement should be per the embellisher/screen printer recommendations.