

Port Authority® Nailhead Backpack BG202



The teardrop shape and tonal pin dot texture give this backpack a unique look, while featuring the roomy main compartment and padded laptop sleeve. Coordinates with our Nailhead Messenger (BG301, sold separately).

- 420 denier pin dot polyester
- Padded back for comfort
- Tab on center back for lashing articles to pack
- Zippered front pocket for easy embellishment
- Web top handle
- Ergonomic, adjustable, padded shoulder straps
- Laptop sleeve dimensions: 12.25”h x 11.25”w x 1”d; fits most 15” laptops
- Dimensions: 18.5”h x 14.25”w x 6.75”d; Approx. 1,779 cubic inches

Note: Bags not intended for use by children 12 and under. Includes a California Prop 65 and social responsibility [hangtag](#).

COLOR



Cambridge Blue/
Smoke Grey
NO MATCH



Coffee Cream/
Smoke Grey
NO MATCH



Nearly Black/
Smoke Grey
PMS 426 C



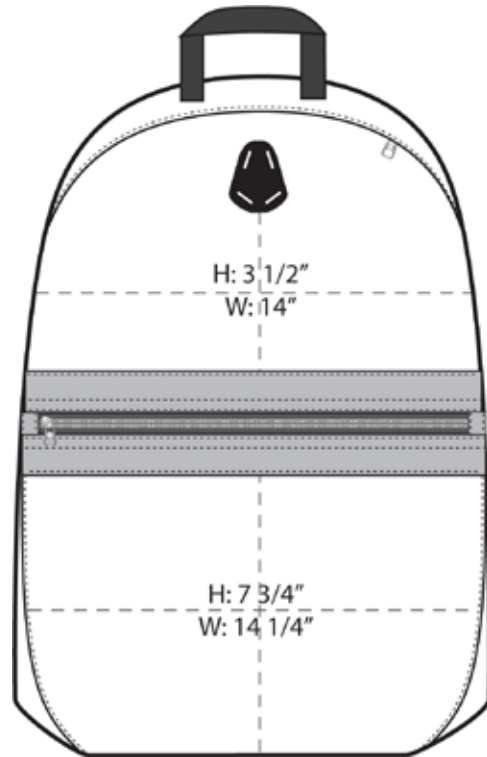
Pink Raspberry/
Smoke Grey
PMS 215 C



Saffron/
Cambridge Blue
PMS 145 C



Shamrock Green/
Smoke Grey
7739 C



Front View

Note: Best graphic placement should be per the embellisher/screen printer recommendations.